

BAC-11/12

Single-Bag housings with V-Clamp closure

Single bag filter housings suitable for filtration of non-hazardous fluids.

BAC-11/12 housings are designed to install BEAFELT, BEAFINE or BEA-MESH sizes 1 and 2 filter bag which are available in wide range of materials and filtration grades.

V-clamp housing closure allows easy and quick operation for filter bag replacement.



Main features

- Multiple IN/OUT configurations available.
- Adjustable mounting legs to make easier the installation.
- Suitable for non-hazardous fluids of group 2.

Materials

Housing:	AISI 316L stainless steel
Filter bag restrainer basket:	AISI 316L stainless steel
V-Clamp closure:	AIS 304 stainless steel
Gasket:	EPDM (standard)

Surface finishing

Code D	pickled (standard)
Code E	electropolished

Design and constructions

According to PED and ATEX Directives

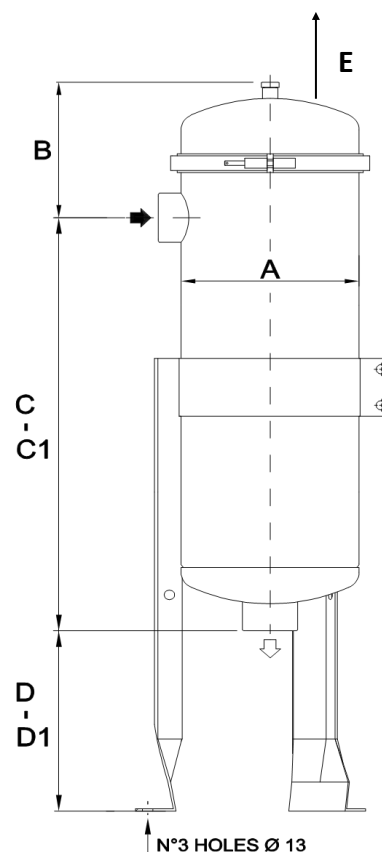
Certification

UE Declaration of conformity and user guide.

Model	In-Out Connections	Bag filter size	* Flow rate MAX l/min	Weight Kg	Volume L	Vent
BAC-11-50F-L-D-E	2" gas F	01	330	18	23	1/4"
BAC-12-50F-L-D-E	2" gas F	02	430	22	35	
BAC-11-50M-L-D-E	2" gas M	01	320	18	23	
BAC-12-50M-L-D-E	2" gas M	02	430	22	35	

* maximum recommended flow rate with water, pressure drop 0.1 bar

Note: the table shows standard models; see the options indicated in the product code description for different configurations.



Model	Nominal dimensions (mm)						
	A	B	C	C1	D	D1	E ¹
BAC-11	219	180	504	//	200-300	//	500
BAC-12	219	180	//	854	//	200-450	900

1 clearance for bag replacement

Product code description for ordering

BAC	-	12	-	50	F	-	L	-	D	-	E		
		BAG FILTER SIZE		CONNECTION DIAMETER		CONNECTION TYPE		POSITION CONNECTION		FINISHING		GASKET	
	11	Size 01	50	2"	D	RACCORDI DIN 11851	L	SIDE ENTRY BOTTOM EXIT	D	PICKLING	E	EPDM	
	12	Size 02	65	2"-1/2"	F	2" BSP female thread	C	SIDE ENTRY BOTTOM EXIT WITH CURVE	E	ELECTROPOLISHED	S	SILICONE	
			80	3"	M	2" BSP male thread	P	IN OUT PARALLELS			V	VITON	
					U	EN 1092.1-PN16 flange							
	X1	HOUSING 11 EMPTY											
	X2	HOUSING 12 EMPTY											

- X1 and X2 sizes are housings without bag holders to allow the installation of stainless steel filter baskets available with various filtration grades.

Operating limits

Fluid state	PED & ATEX Conformity		
Liquid Temp. max 60°C	Fluid group	PED Category	ATEX
8 barg	2 (non dangerous)	Art.4 par 3	II 2G Ex h IIC T160°C Gb / II 2D Ex h IIIC T160°C Db

Bea Technologies Spa

Via Newton,4 -20016 Pero (MILANO) Italy
 Tel.+(39) 02 339271 / Fax+(39) 02 3390713
 mail:info@bea-italy.com
 web:www.bea-italy.com

The data are informative and subject to change without notice. User is responsible for determining whether the product is fit for particular purpose and suitable for User's method of application.