

# VACUUM VIP

## Filter for medical vacuum

VACUUM VIP filters are used in medical applications to protect the suction side of vacuum pumps from exposure to bacteria contamination and therefore protect the external environment from the contamination above mentioned.

- Pleated filter media allows low pressure drop
- Positive sealings by O-ring gaskets
- Easy and safe installation
- Easy flask removal for contaminant disposal



### APPLICATIONS

VACUUM VIP filters capture aerosols and particulate from intake fluids; filter elements and housings are designed for medical applications and can be utilized in hospitals, pharmaceutical laboratories, dentist's surgery and other critical areas where it is recommended to protect the installations from bacteria contamination.

### EFFICIENCY

Standard test methods have proven that VACUUM VIP filter elements have an efficiency of 99,9998% when tested to BS 3928.

# VACUUM VIP

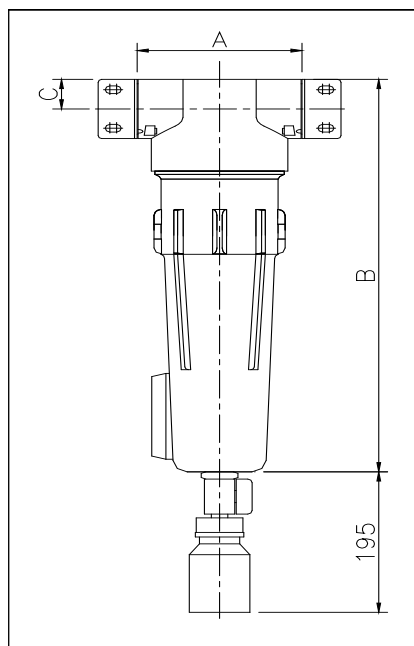
## filters for medical vacuum

### TECHNICAL DATA

VACUUM VIP are made of a filter element, an anodized and coated paint finish housing and a transparent drain glass. High efficiency filter elements ensure long service life and low pressure drops thanks to the pleated media. It is essential to ensure that the filter assembly is mounted correctly, with the air flow passing through the cartridge from outside to inside and the flask at the bottom.

The flask should be visually checked daily and removed for cleaning and sanitization.

The filter element must be substituted at least every 6 months or when the pressure drop achieved the value of 0,5 bar.



Support brackets available on request

### TECHNICAL DATA

FILTER	CONNECTIONS	FLOW RATE	FLOW RATE @ 500 mm Hg	FILTERING ELEMENT	DIMENSIONS mm		
					A	B	C
<b>Model</b>	<b>Gas</b>	<b>Nm<sup>3</sup>/h</b>	<b>m<sup>3</sup>/h</b>	<b>Model</b>	<b>A</b>	<b>B</b>	<b>C</b>
CMV-100-00	1/2"	15	45	ARV-100-DA	93	263	20
CMV-180-00	3/4"	25	75	ARV-180-DA	125	285	30
CMV-290-00	1"	40	120	ARV-290-DA	125	385	30
CMV-460-00	1-1/4"	85	255	ARV-460-DA	160	405	38
CMV-610-00	1-1/2"	110	330	ARV-610-DA	160	505	38
CMV-930-00	2"	170	510	ARV-930-DA	190	537	52
CMV-1050-00	2-1/2"	192	576	ARV-1050-DA	190	637	52
CMV-2300-00	3"	280	840	ARV-2300-DA	240	985	62

Correction factor	1	2	4	6	8	10
mmHg vacuum	0	380	570	630	660	685

Multiply the flow rate by the correction factor for operating vacuum different from 500 mmHg.

Operating limits	
min./ max. operating temperature	: +1 / 60°C
min./ max. working pressure	: 4 mbar / 2000 mbar absolute
Pressure drop at 1013 mbar absolute	: 30 mbar

The data are informative and subject to change without notice. User is responsible for determining whether the product is fit for particular purpose and suitable for User's method of application.

## Bea Technologies Spa

Via Newton,4 - 20016 Pero (MILANO) Italy  
 Tel.+(39) 02 339271 / Fax+(39) 02 3390713  
 mail:info@bea-italy.com  
 web:www.bea-italy.com

DS-CMV-513-UK-10